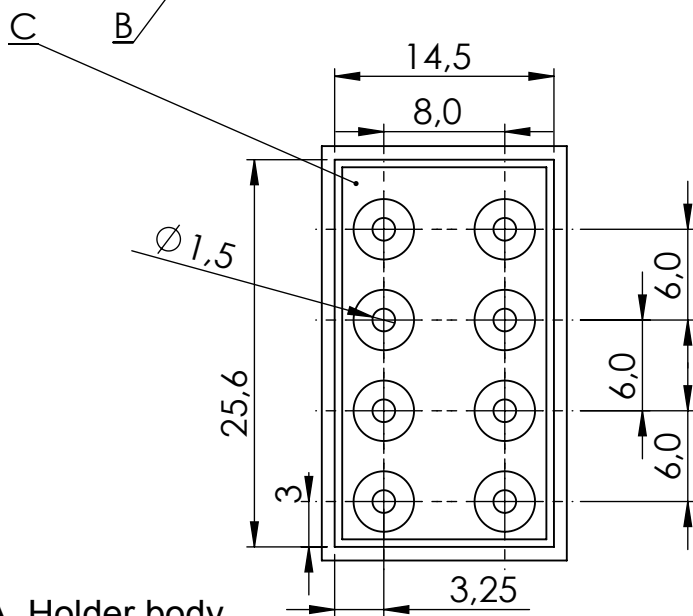
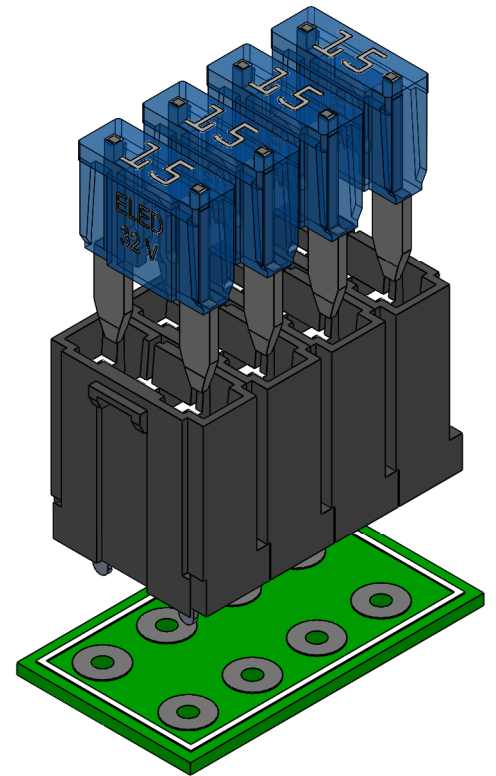


MINI fuse holder can be mounted in a row in nearly any number



- A Holder body
- B Pin 2x4
- C Printed circuit board layout



ELED ref.	Description	Pins	NOTE
H7810	MINI fuse holder for PCB board	2x1	-

UNLESS OTHERWISE SPECIFIED:
DIMENSIONS ARE IN MILLIMETERS
SURFACE FINISH:
TOLERANCES: 0,2
LINEAR:
ANGULAR:

FINISH:
DEBUR AND BREAK SHARP EDGES

DO NOT SCALE DRAWING

REVISION

ELED

	NAME	SIGNATURE	DATE	
DRAWN	Drame		2.8.11	
CHK'D				
APPV'D				
MFG				
Q.A				
MATERIAL:			DSM Arnite AV2 365 SN	
WEIGHT:			0,75g	

TITLE:		MINI fuse holder PCB	
DWG NO.	H7810		A4
SCALE:2:1	SHEET 1 OF 1		