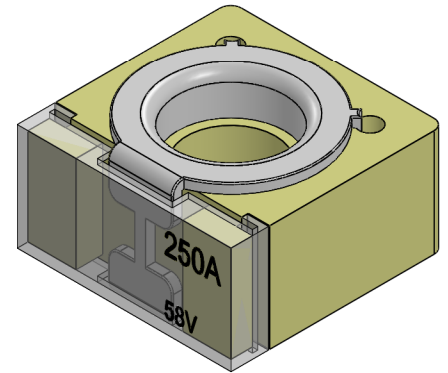
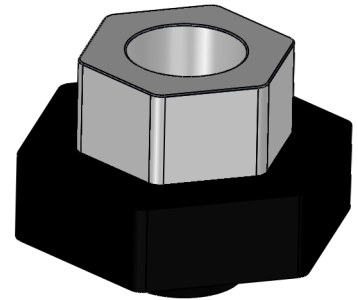


M8 nut



- A Fuse element
- B Ceramic body
- C Transparent cover
- D Nominal rating printed
- E Nominal voltage printed

ELED ref.	RATING [A]	VOLTAGE [V]	NOTE
CF050	50	58	-
CF075	75	58	-
CF100	100	58	-
CF125	125	58	-
CF150	150	58	-
CF175	175	58	-
CF200	200	58	-
CF250	250	58	-
CF300	300	58	-
CF-M8	-	-	nut

FUSING TIME ISO 8820-6		
LOAD [%]	MIN [s]	MAX [s]
110	360.000	-
135	5	1.800
150	1	600
200	0,2	60
350	0,03	1
600	0,01	0,2

UNLESS OTHERWISE SPECIFIED:
DIMENSIONS ARE IN MILLIMETERS
SURFACE FINISH:
TOLERANCES: 0,2
LINEAR:
ANGULAR:

FINISH:

DEBUR AND
BREAK SHARP
EDGES

DO NOT SCALE DRAWING

REVISION

ELED

	NAME	SIGNATURE	DATE		
DRAWN	B.D.		12.2014		
CHK'D					
APPV'D					
MFG					
Q.A				MATERIAL:	
				WEIGHT:	

TITLE:		CUBE fuses family	
DWG NO.	CUBE FUSE	A4	
SCALE:2:1	SHEET 1 OF 1		